

**BRILLIANT SOLUTIONS  
FOR COMMERCIAL KITCHENS**



**Modular Ventilated Ceilings**



## SUSTAINABLE SUCCESS...



# PATENTED QUALITY MADE IN GERMANY

Since its foundation in 1976 our company installed GIF-ventilated ceilings in the most varied catering establishments around the world. We are ISO 9001:2015 certified and implement the stringent food-law requirements according to the HACCP\* concept.

The area-active GIF ventilation system satisfies the current VDI guidelines, DIN and EN standards.

Thus and through our production on site in Freiburg/Germany, we are able to offer our clients high quality conditions for custom-made systems.

From inflight catering with up to 120,000 meals daily to communal catering or the individual star cuisine, we are the reliable contact for specialist planners, architects, investors and users alike.

\* HACCP = Hazard Analysis and Critical Control Points



... BASED ON DIALOGUE

## EXPERIENCE, PERFORMANCE, SERVICE:

### Individual ceiling solutions

We believe that a kitchen is much more than just a place where food is prepared.

We develop system solutions for the capture of exhaust air and the provision of supply air for all areas of commercial catering – whether economic systems in large kitchens, jet-stream extraction and design solutions in front-cooking, noise reduction in sculleries or cost-effective solutions in food preparation areas.

### Full Service from a single source

Our supportive service starts right from the design stage, including the provision of an air volume calculation, cost comparisons and the design of CAD ceiling plans.

Following is an all-round support by your regional service provider and our head office in Freiburg/Germany. Our partner will meet you at the construction site with services ranging from flawless installation right through to detailed documentation after completion. We will remain at your disposal ensuring an ongoing after sales service.



- Solutions based on decades of experience for all areas in large-scale catering
- All installations and services carried out to high quality standards
- Draft and execution planning
- Reliable on-site work realisation including installation and assembly
- After sales service



# CONVINCING VALUES

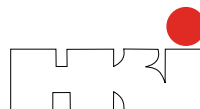
## LONG SERVICE LIFE THROUGH QUALITY

### More than forty years of experience

By choice we generally use an AISI 304 stainless steel ceiling structure, which constitutes the basis for a fully TÜV (Germany) and TNO (Netherlands) certified and flame penetration approved system. The individual components are made in technically sophisticated process-steps, tested and installed by using only installers trained and approved by GIF ActiveVent.

This approach ensures competent and trouble-free installations and a lasting, reliable service life.

We are members / supporters of: HKI, VdF, FCSI, VKK



Verband der Küchenleiter/innen  
in Krankenhäusern und  
Pflegeeinrichtungen e.V.



# SMARTLY SOLVED – EASY TO HANDLE

## OUR TRIED AND TESTED FUNCTIONAL PRINCIPLE

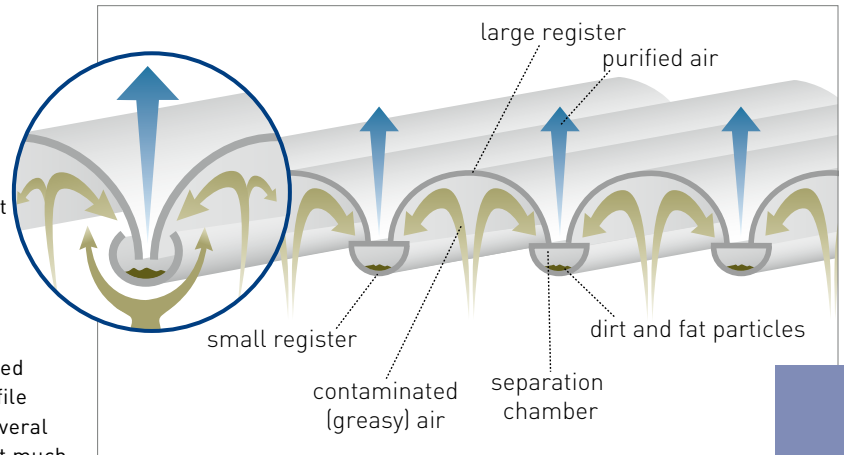


**1**  
Quick and easy removal of the active cassettes without the need for tools.

**2**  
Active cassettes are mounted in push- and -pull type profile section design, allowing several rows to be removed without much effort from a single point.

**3**  
Cleaning the active cassettes in a commercial dishwasher- the GIF ventilated ceiling is easy to clean and close to hygienic perfection.

**4**  
Re-insert the clean active cassettes into the grid.



## True genius is found in simplicity

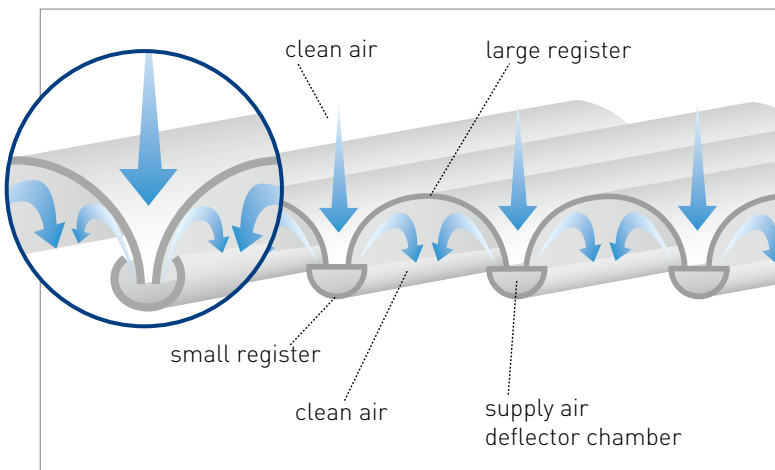
The GIF ventilated ceiling system is made up of an area-active cassette construction. Each active cassette acts in the area-wide exhaust air zone as an aerosol separator, according to VDI 2052 and EN 16282. The separated particles in the active cassettes are collected in small registers.

All active cassettes are easy to remove from the ceiling grid and can be cleaned in any commercial dishwasher.

The active cassettes can also be used for large surface fresh air supply and are as such interchangeable in any configuration between exhaust- and supply-air zones.

The unique push-and-pull system allows for access to the ceiling void and the ceiling to be 98% demountable, virtually from any spot in the kitchen.

Climbing on kitchen equipment is no longer necessary and a hygienically impeccable cleaning process achievable.





# INDIVIDUAL, ADAPTABLE...

## ...the all-round wall-to-wall solution

The GIF ventilated ceiling is an area-active wall-to-wall solution including exhaust- and supply air zones, illumination and infill panels. An installation height of only 200 mm is necessary, ideal for low ceiling heights. Using the ceiling cavity in line with EN 16282-3 as a pressure chamber allows for the greatest possible surface area, working as active air exhaust fields and supply zones.

The extended capture of frying-, cooking- and other vapours in combination with area-wide fresh air supply generates a „feel-good“ climate without condensation and drafts.

Through its fully demountable structure the unique modular system provides maximum transparency and hygiene.



## 1 Active cassette ceiling

(Cooking and dishwashing zones)

Push- and -pull type modular ceiling system for the effective and comprehensive capture of exhaust air and fresh air supply with low turbulence.

No flame penetration across the entire ceiling surface guaranteed by using AISI 304 stainless steel. High degree of separation (up to 97%) ensured through lowest manufacturing tolerances.\*

## 2 Restaurant Systems

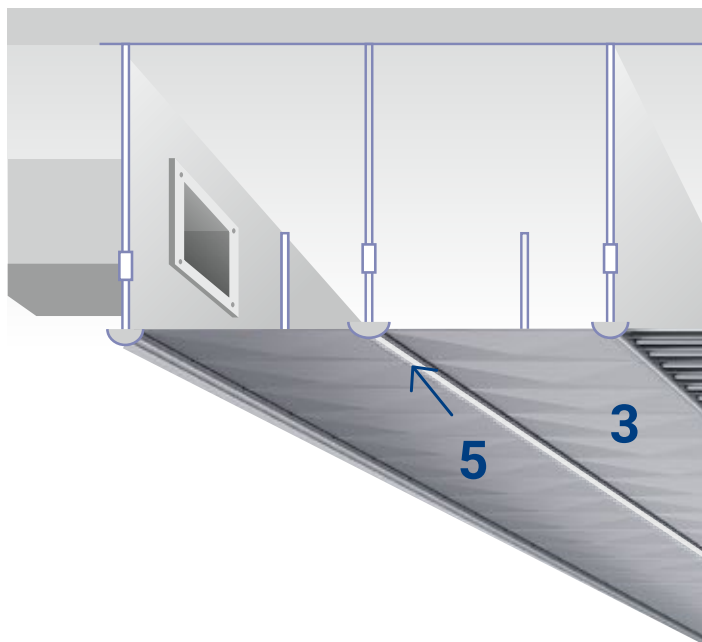
(Cooking areas)

Heavy duty separators allow for an intense extraction above cooking ranges and appliances with high emissions of fat and condensate. Installation possible in concave and convex shapes, following individual choice and needs. Optimum hygiene and rigidity through the use of AISI 304 stainless steel.\*

## 3 Supply-air flat cassette ceiling

(Cooking, servery, dishwashing and adjacent zones)

Matching the individual needs of your kitchen, the supply air flat cassette ceiling can be used instead of the active cassette ceiling for fresh air supply at lower air exchange rates. A large surface with draft-free fresh air supply is guaranteed and forms part of a uniform composite ceiling in combination with our other ceiling components.\*



## 4 Sound absorbing supply-air flat cassette ceiling

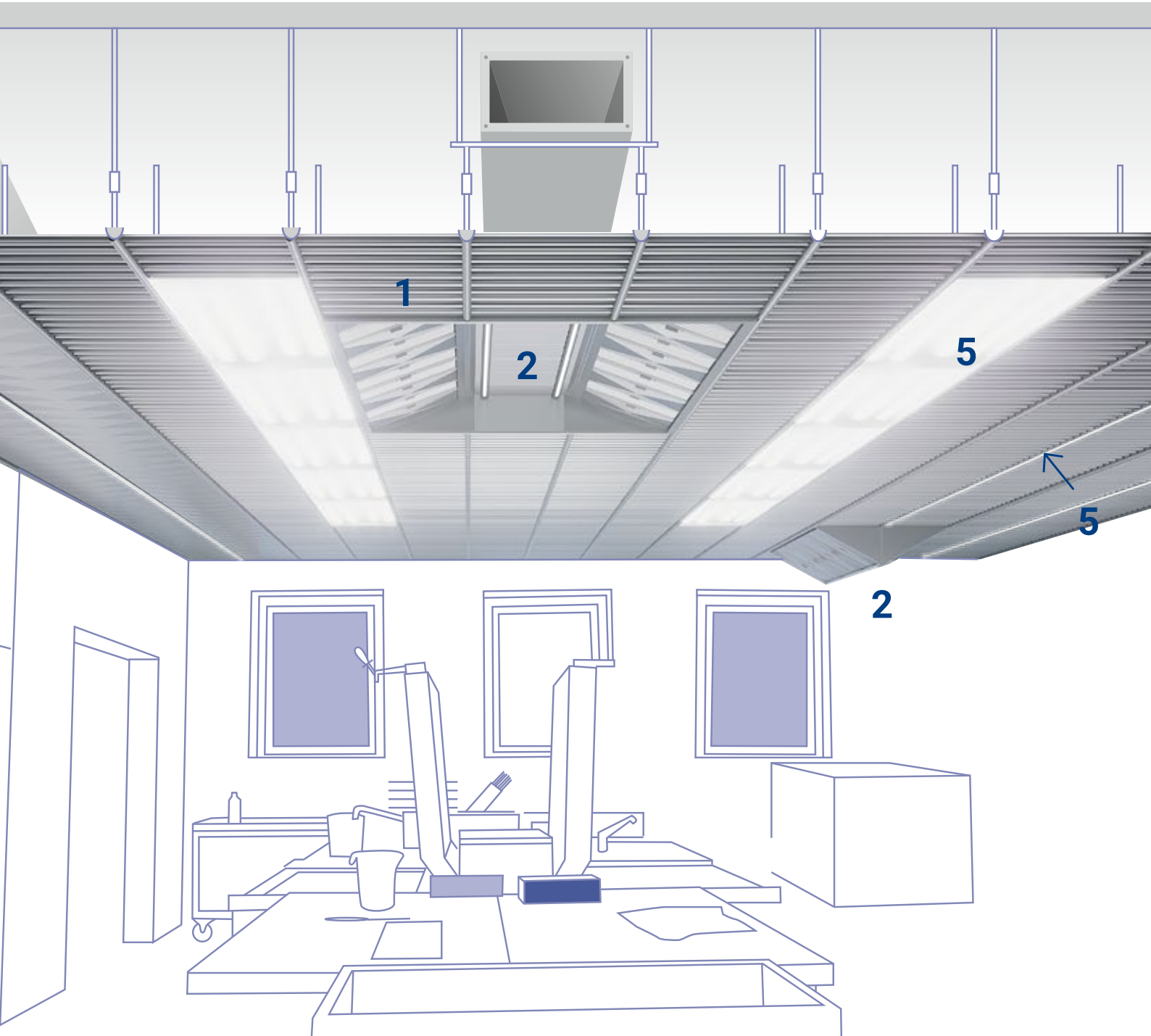
(Cooking, servery, dishwashing and adjacent zones)

An advanced development of the supply air flat ceiling, this ceiling system combines the fresh air supply function with sound absorption. The outstanding feature is the combination of those two functions in one and the same surface/cassette and the resulting optimisation of sound and noise abatement.\*



\* Components made in stainless steel, allowing easy and hygienic cleaning with little effort in the dishwasher.

# OUR PRODUCT RANGE



## 5 Illumination

(Cooking, servery, dishwashing and adjacent zones)

Our lighting options fit flush into the GIF-ventilated ceiling and guarantee the best possible illumination for your work place in line with all current rules and standards. Specially designed for large-scale catering establishments the damp-proof luminaires are by default delivered in IP 54-standard. The distinctive feature is the supply air connection of luminaires in

the exhaust-air zone, which generates an air cushion across the underside of the cover sheet, protecting it from soiling. Our luminaires can be delivered in either LED- or standard ECG-technology, the LED rail-lighting system and spotlights comply with IP 66 classification.



## 6 Flat ceiling systems

(Servery and adjacent zones)

Made of aluminium (optionally powder-coated) or in AISI 304 stainless steel, this system is particularly suitable for adjacent or ancillary areas, which are not exposed to thermal loads and steam. This flat ceiling system also includes the full range of components for exhaust air extraction, fresh air supply and illumination.

## 7 Jet-stream extractor

(Servery and front cooking)

Transverse air-flows occurring mainly in „open plan“ kitchen areas substantially reduce the efficiency of ordinary extraction systems. Often rising steam and vapour is carried away even before they reach the extraction corpus. The Jet-stream extractor has been developed specifically for this purpose and has for many years guaranteed the capture of kitchen vapours and smells above woks and barbecues, in front- and show kitchens. Exhaust air pollution is kept to a minimum.

## 8 EcoAZUR – Optimise your energy efficiency

(Cooking and front cooking)

According to individual cooking operations, exhaust air flow volumes automatically adjust to the emitted quantities of steam, vapour and temperature (peaks). This way of permanent energy-efficient kitchen ventilation ensures an optimum air quality, assuring ergonomics together with considerable energy savings.

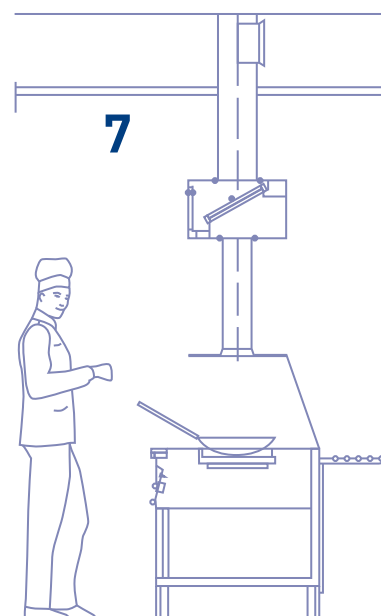
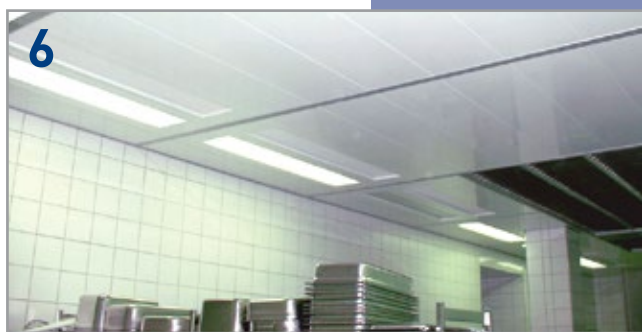
## 9 UV-C(lean) exhaust-air treatment systems

(Plant protection)

As a further addition to our range GIF Active Vent offers UV-C(lean) systems for aerosol follow-up treatment. After the aerosol separation any remaining fat particles in the exhaust air-flow are minimised.

- Decreased risk of fire in exhaust air ducts
- Lower cleaning costs
- Increased hygiene

The system is made in compliance with EN 16282-8 and can be fitted in ventilated ceilings, jet-stream extractors and existing extracting systems/hoods.



# FUNCTION AND AESTHETICS



Photo: www.foto-deimling.de

Federsee clinic  
Bad Buchau  
Ventilated ceiling  
with LED rail lighting system



Juwi AG, Wörrstadt

# A CONCEPT CONQUERS THE WORLD

## REFERENCES



Kolping-  
haus  
Stuttgart

Our aim is to make each of our projects a reference site.  
Among our satisfied customers are:

BASF Ludwigshafen  
Siemens Hamburg + Chemnitz + Munich  
Lufthansa Frankfurt



Landes-  
messe  
Stuttgart

RTL Cologne  
Telekom Bonn  
RWE Dortmund  
State Opera House Berlin  
Neue Landesmesse Stuttgart  
Brenners Park Hotel Baden-Baden  
Altes Mädchen Hamburg  
DRV Hospitals



Segmüller  
Pulheim

Gütersloh Clinical Centre  
Plön Navy Academy  
Students' canteen Landau  
Linde Agora Pullach  
Deutsche Bundesbank Frankfurt  
Swiss Life Germany Hannover



DKV Cologne

Nestlé Milan (IT)

Swarovski Belgrade (RS)

Arrival London (UK)

LSG Sky Chefs Chile SpA. Santiago (CL)

Grand Park Hotel (Maistra) Rovinj (HR)

World Trade Center Dubai (AE)

Emirates Flight Catering Dubai (AE)

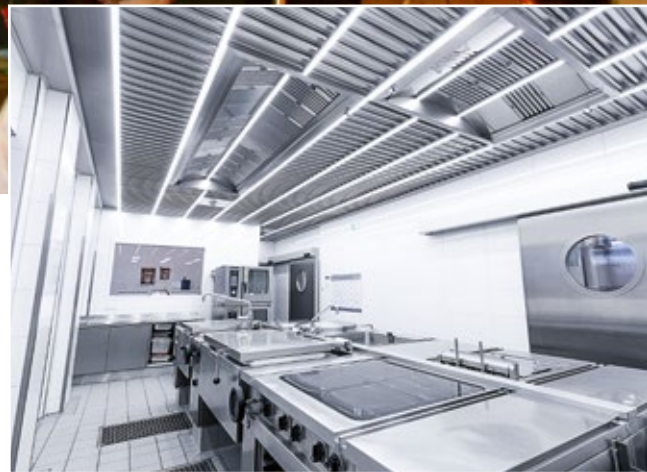
Mercedes Benz Prague (CZ) + Milan (IT)

European Parliament Brussels (BE)

Rialto Tower Melbourne (AU)

Cruces University Hospital Bilbao (ES)

Verwaltungsgebäude  
Bezirk Oberbayern  
Munich



- Staff canteens
- Hospitals
- Restaurants / hotels
- Retirement / disabled homes
- Schools
- University dining halls

BMW  
Shenyang



# BRILLIANT SOLUTIONS FOR COMMERCIAL KITCHENS



## CONTACT WORLDWIDE

### GIF ActiveVent GmbH

Brühlstr. 7  
79112 Freiburg  
Germany

Tel. +49 (0)7664 9302-0  
[info@gif-activevent.com](mailto:info@gif-activevent.com)  
[www.gif-activevent.com](http://www.gif-activevent.com)



your enquiry to GIF ActiveVent:



## Representation in Germany:

### Northern Branch Office

Mob. +49 (0) 176 119302-10

### Western Branch Office

Mob. +49 (0) 176 119302-20

### Eastern Branch Office

Mob. +49 (0) 176 119302-21

### Central Branch Office

Mob. +49 (0) 176 119302-07

### Southern Branch Office

Mob. +49 (0) 176 119302-12

### South Western Branch Office

Mob. +49 (0) 176 119302-11

## Sales Agencies Abroad:

### Czech Republic

GIF ActiveVent s.r.o.  
[info.cz@gif-activevent.com](mailto:info.cz@gif-activevent.com)  
[www.gif-activevent.cz](http://www.gif-activevent.cz)

### United Kingdom

Interflow GIF Ltd  
[info@interflow.ltd](mailto:info@interflow.ltd)  
[www.interflow.ltd](http://www.interflow.ltd)

## Export Partners in:

Australia

Austria

Belgium

Bosnia and Herzegovina

Chile

China

Croatia

Cyprus

Greece

Ireland

Israel

Italy

Macedonia

Malta

Middle East Region

Netherlands

Peru

Poland

Portugal

Serbia

Slovenia

Spain

Switzerland

Turkey

Contact details are available on our website:

